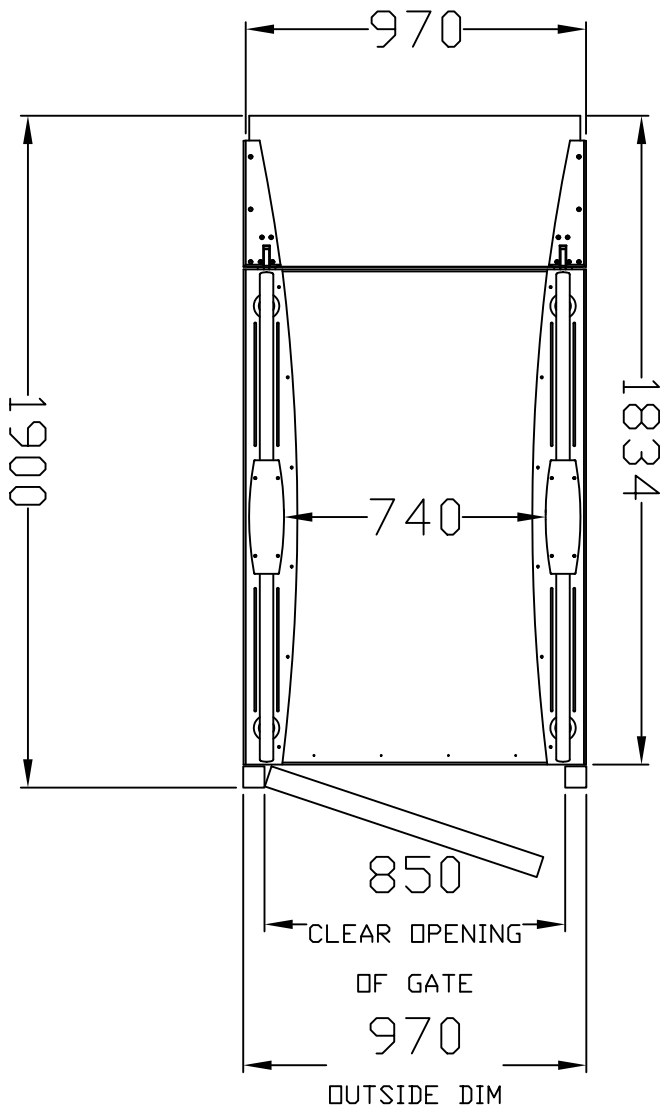




BOTTOM SIDE



**Recommend 1000mm
clear depth in front of
ramp**

**This layout drawing
is for guidance only.
Please contact our
trained and experi-
enced lift designers
to ensure your com-
plete understanding
of your lift require-
ments.
We look forward to
your call.**

**Minimum side clearances
100mm on each side**

NOT FOR CONSTRUCTION

**Recommend 1000mm
clear depth in front of
gate**

TOP SIDE

**P1
740 x 1400**

CONSTRUCTION DETAILS

- | | |
|-------------------------|--|
| ▪ Construction Material | site specific |
| ▪ External shaft size | 970 (w) X 1900 (d) |
| ▪ Running clearance | 100mm required to each side |
| ▪ Pit depth | not required |
| ▪ Headroom | 2000mm recommended |
| ▪ Machine cabinet | 410 (h) x 410 (d) x 460 (w)
up to 6m away from platform |
| ▪ Power supply | single phase, 240v |

SHOWROOMS

NSW: 1 / 75 Corish Circle Eastgardens, 2036 T: (02) 9666 3939 F: (02) 9666 3949	VIC: 1/1 Belgium Ave Richmond, 3121 T: (03) 9421 4222 F: (03) 9421 4333
--	--

Toll Free: 1800 440 714
www.liftshop.com.au

STANDARD SPECIFICATIONS

- | | |
|---------------------|---------------------|
| ▪ Person capacity | 250kg (1-2 persons) |
| ▪ Speed | 0.10 m/s |
| ▪ Maximum Travel | 1000mm |
| ▪ Safety Protection | bellow safety apron |
| ▪ Maximum floors | 2 |
| ▪ Compliance | AS1735.14 |
| ▪ Cabin fit out | options available |
| ▪ Doors finishes | options available |